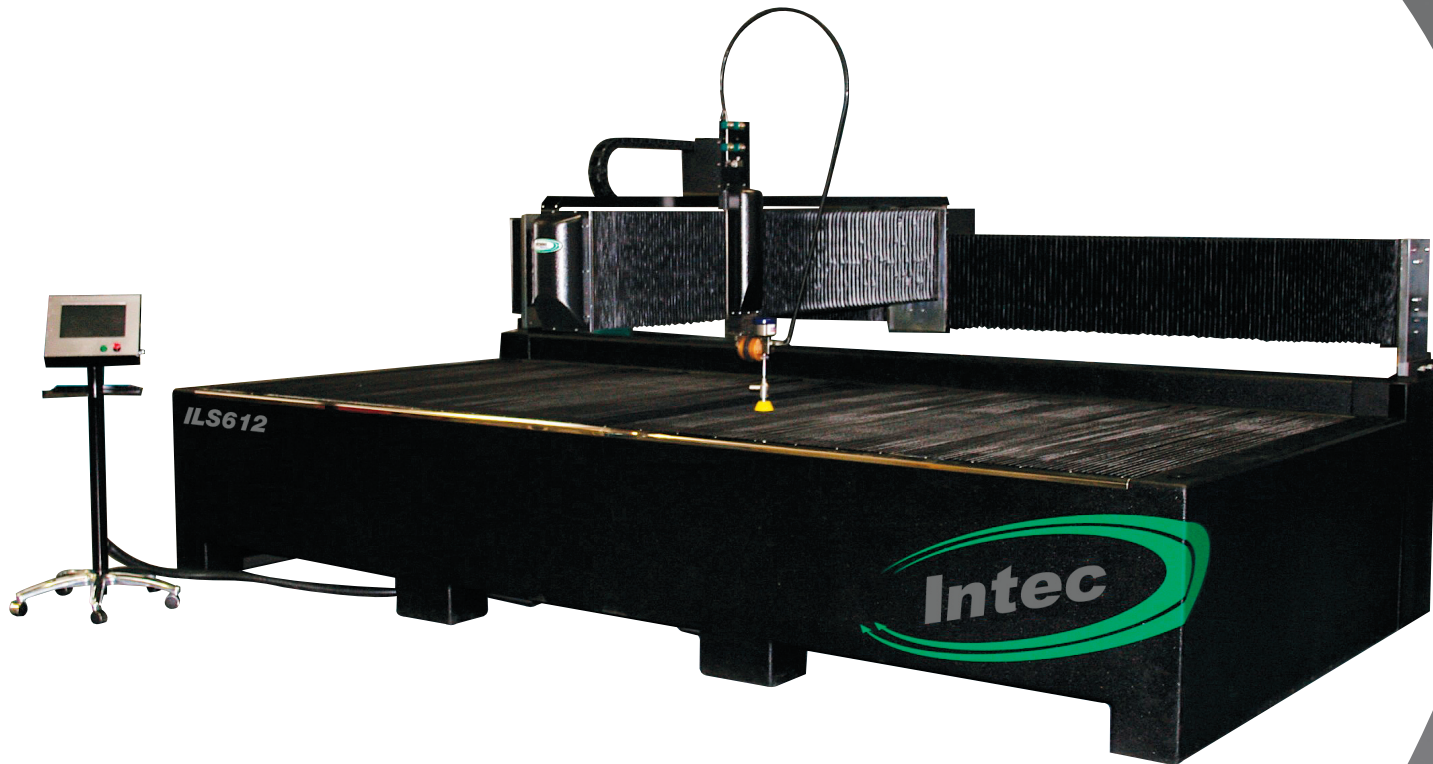


# ILS612



## Waterjet Cutting System



## Intec® "Light Series"

The Intec light series was developed to suit industries with lighter cutting needs. The machine is simple to load and operate, making it ideal in a production or semi-production environment. It is perfect for industries such as Gaskets, Sheet Metal, Tile & Stone, Sign Makers, Plastics, Foam & Rubber, Insulation, and Ducted Pipe System manufacturers.



[www.techniwaterjet.com](http://www.techniwaterjet.com)  
[sales@techniwaterjet.com](mailto:sales@techniwaterjet.com)

The Integrated 30HP Intensifier Pump is manufactured exclusively for Techni Waterjet and is capable of delivering 0.6 GPM at 55000 psi continuous running pressure. All high-pressure components are designed and manufactured by KMT, the world leader in intensifier technology. Incorporating an 8" plunger stroke (the longest in the industry) results in fewer strokes and therefore less maintenance and "down time", increasing the "VALUE" of your investment.

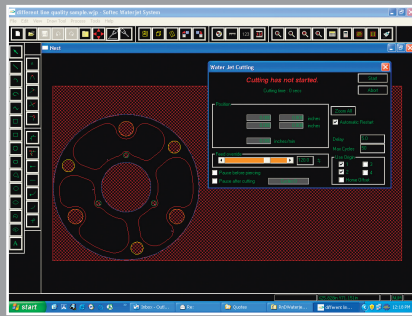


Every Intec® comes standard with Softec™ Waterjet Cutting Software, which has been developed by Techni Waterjet with two very clear goals in mind:

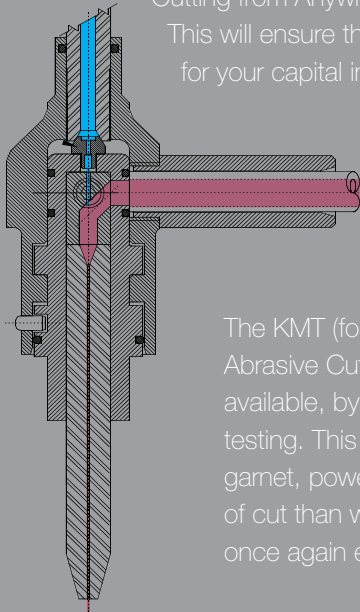
- To cut parts at the minimum cost with the greatest accuracy,
- To have a simple and intuitive interface with the operator.

The result, is a comprehensive "All-In-One" Windows based software, that is specifically designed for waterjet cutting. This maximizes productivity, and anyone with PC experience can learn to use quickly and easily. Softec™ incorporates many unique features, including:

DXF Importation,  
Focusing Tube Wear  
Compensation, Off-  
site Notification,  
Multiple Origin Points,  
Maintenance Counters,  
Auto Mating Part  
Clearance, Standard  
Object Library, Re-start



Cutting from Anywhere, and many, many more.  
This will ensure that you get maximum "VALUE"  
for your capital investment.



The KMT (formerly Ingersol-Rand) Autoline Abrasive Cutting Head, is the most efficient available, by independent US Government testing. This results in you using less garnet, power and consumables per inch of cut than with opposition cutting heads, once again ensuring increased "VALUE".

TW-035a

## Specifications

<b>Machine Size (L, W, H)</b> (Does not include intensifiers or bulk abrasive hopper)	<b>15' 9" x 9' 3" x 6' 7"</b> (4800 x 2800 x 2000mm)
<b>Machine weight (empty)</b>	<b>6400 lbs (2900 kg)</b>
<b>Machine weight (with water)</b>	<b>18300 lbs (8300 kg)</b>
<b>Cutting table size</b>	<b>6' 2" x 13' 10" (1900 x 4200mm)</b>
<b>Cutting Area</b>	<b>6' x 12' (1830 x 3660mm)</b>
<b>Accuracy of motion*</b>	<b>0.005" (± 0.12mm)</b>
<b>Repeatability of motion</b>	<b>0.001" (± 0.025mm)</b>
<b>Max Air speed</b>	<b>1000 ipm (25m/min)</b>
<b>Max cutting speed</b>	<b>1000 ipm (25m/min)</b>
<b>Max cutting pressure</b>	<b>55000 psi (3800 bar)</b>
<b>Max material thickness** (Water only)</b>	<b>9 1/4" (235mm)</b>
<b>Max material thickness*** (Abrasive)</b>	<b>4 1/2" (115mm)</b>

**Due to constant endeavour to improve the machine, the specification may be changed without prior notice.**

\* Refer to machine specifications on website for details.

\*\* Water only with 3" nozzle tube. \*\*\* Abrasive cutting with 4" nozzle tube.

## Options

- Crash Sensing Break Away Head.
- 1/2 ton (500kg) Jib arm and 2 stage vacuum end-effector for easy material handling.
- Waste garnet recovery system.
- Bulk Abrasive Hoppers from 200 - 1000 lbs (100-500kg) capacity.
- Twin cutting heads for increased production.
- Floating 'Z' axis to maintain 'stand off' on warped materials.
- Light Curtain Guarding System ensures maximum worker safety.
- Upgrade to full CNC machine operator interface. This enables the following options:
  - Tech-Sense™ to monitor the cutting head and pause the program prior to any blockage, making "Lights Out" operation a reality.
  - Text Messaging protocol which enables 2-way communication between machine and mobile phone.

## Service • Quality • Reliability

Techni Waterjet is committed to offering machines of the highest quality. The Intec® has been designed specifically for the very tough abrasive waterjet environment. It uses a minimum of moving parts, which have been manufactured from corrosion resistant materials. This ensures the reliability of the Intec® machines for many years after their installation. This is all backed up by highly trained service technicians, who will treat any problem you might encounter with the urgency you, our "valued" customer requires.

[www.techniwaterjet.com](http://www.techniwaterjet.com)  
[sales@techniwaterjet.com](mailto:sales@techniwaterjet.com)



HEAD OFFICE - Melbourne



USA HEAD OFFICE - Kansas City